



MOSS TODDLER BED BY OEUF

ASSEMBLY GUIDE

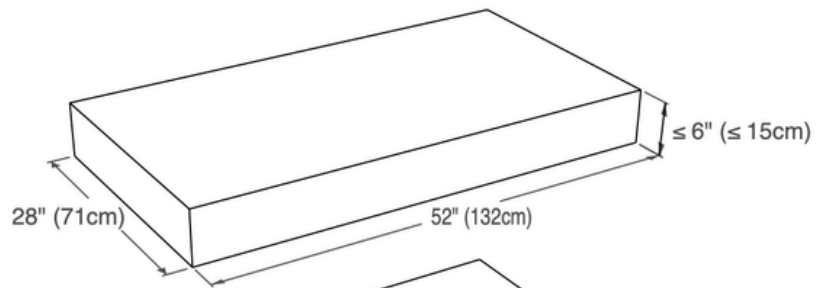


WARNING – Improper assembly or use of this product and the activity of climbing has risks that can lead to injury, paralysis, and even death. Read these instructions and warnings before installation and use!

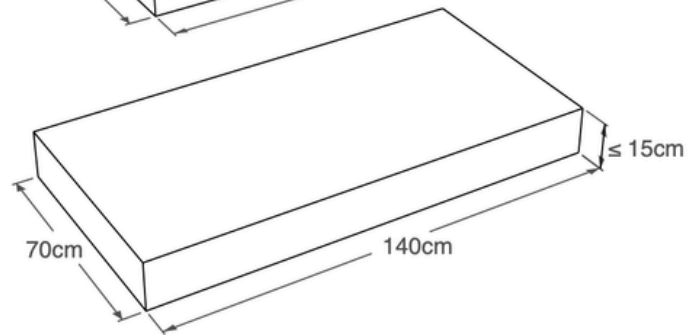
CONTACT US
shop@grohplayrooms.com

FIND MORE RESOURCES AT
shopgrohplayrooms.com

**USA, Canada, Australia,
New Zealand, Korea**



**Europe, UK, China, Turkey,
& all other countries**



EN - Instructions For Safe Use (for UK, use mattress size 140cm x 70cm)

Please read carefully and keep for future reference.
Please also refer to the illustrations section of this user guide.
Recommended for use between 15 months and 6 years.

! WARNING

ENTRAPMENT/STRANGULATION HAZARD

- Infants have died in toddler beds from entrapment and strangulation.
- Failure to follow these warnings and the assembly instructions could result in serious injury or death.
- NEVER use bed with children under 15 months.
- NEVER place bed near windows where cords from blinds or drapes may strangle a child.

KEEP INSTRUCTIONS IN POUCH PROVIDED WITH BASE FOR FUTURE USE.

For USA, Canada, Australia, New Zealand, Korea - The mattress intended for use on this toddler bed must be a FULL-SIZE crib mattress having minimum dimensions of 51-5/8 inches (131 cm) in length, 27-1/4 inches (69 cm) in width and 4 inches (10 cm) minimum to 6 inches (15 cm) maximum in thickness.

For UK (items #'s ending in "-EU") - The mattress intended for use on this toddler bed must be a standard cot mattress having minimum dimensions of 55 inches (140 cm) in length, 27-1/2 inches (70 cm) in width and 4 inches (10 cm) minimum to 6 inches (15 cm) maximum in thickness.

Maximum weight shall not be greater than 50 lbs (22.7 kg).

WARNING

- Before each usage or assembly, inspect toddler bed for damaged hardware, loose joints, missing parts, or sharp edges. DO NOT use toddler bed if any parts are missing or broken. Ask your dealer or write to OEUF for replacement parts and instructional literature if needed. DO NOT substitute parts.
- Upon completion of assembly, be sure all screws and bolts have been tightened securely. A periodic check should be made of all screws and bolts and retighten if necessary.
- Never use plastic shipping bags or other plastic film as mattress covers because they can cause suffocation.

Care & Maintenance

- When cleaning your crib/bed rail, use a nontoxic, non abrasive cleaner. Mix a solution of water, if necessary, with a small amount of a mild detergent. Apply to bed surface with a damp cloth.
- Always lift the unit. Do not push or drag it to avoid damaging the base.
- It is important that the humidity levels in the room be controlled from extremes of too much humidity or too little. The bed should not be placed directly next to air-conditioning outlets, fire places, radiators, space heaters, humidifiers or dehumidifiers. Exposure to extreme variations of temperature and humidity can damage wood products.
- Keep the bed out of direct sunlight. UV rays may fade colors and in some cases darken them. It can cause crazing or hair line cracks in the finish. White finishes will darken naturally over time and

DO NOT use a water mattress with this toddler bed.

DO NOT place bed near windows where cords from blinds or drapes may strangle a child.

DO NOT place items with a string, cord, or ribbon around a child's neck, such as hood strings or pacifier cords.

DO NOT suspend strings over a toddler bed for any reason.

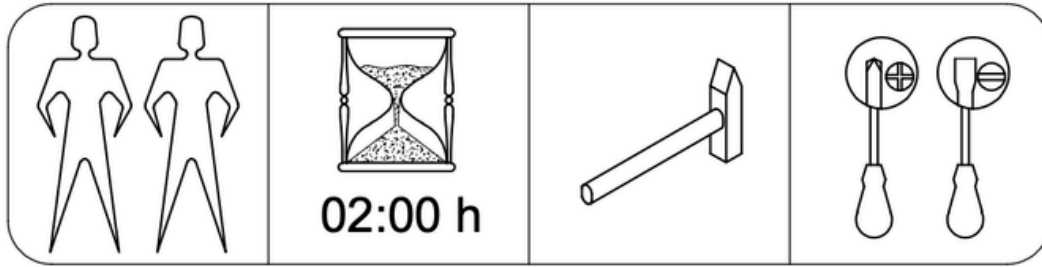
DO NOT suspend strings over toddler bed or attach strings to toys.

exposure to direct sunlight will hasten this natural process along with some wood darkening; this is not considered to be a quality defect.

- If you need to put your crib/bed rails in storage for any period of time do not store it in a damp or hot environment. Allow air flow around the furniture and do not stack anything on it.




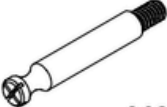


Check List

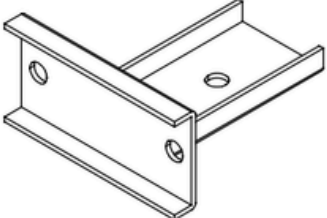


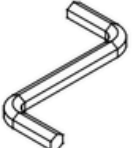
- The crib/bed is ready for use only when the bed rails are properly installed. Please check carefully before use.
- Always check the bed is free from damage before use. Do not use product if any damage is present.
- Regularly check that all assembly fittings are always tightened properly and retighten as necessary.



Fittings List

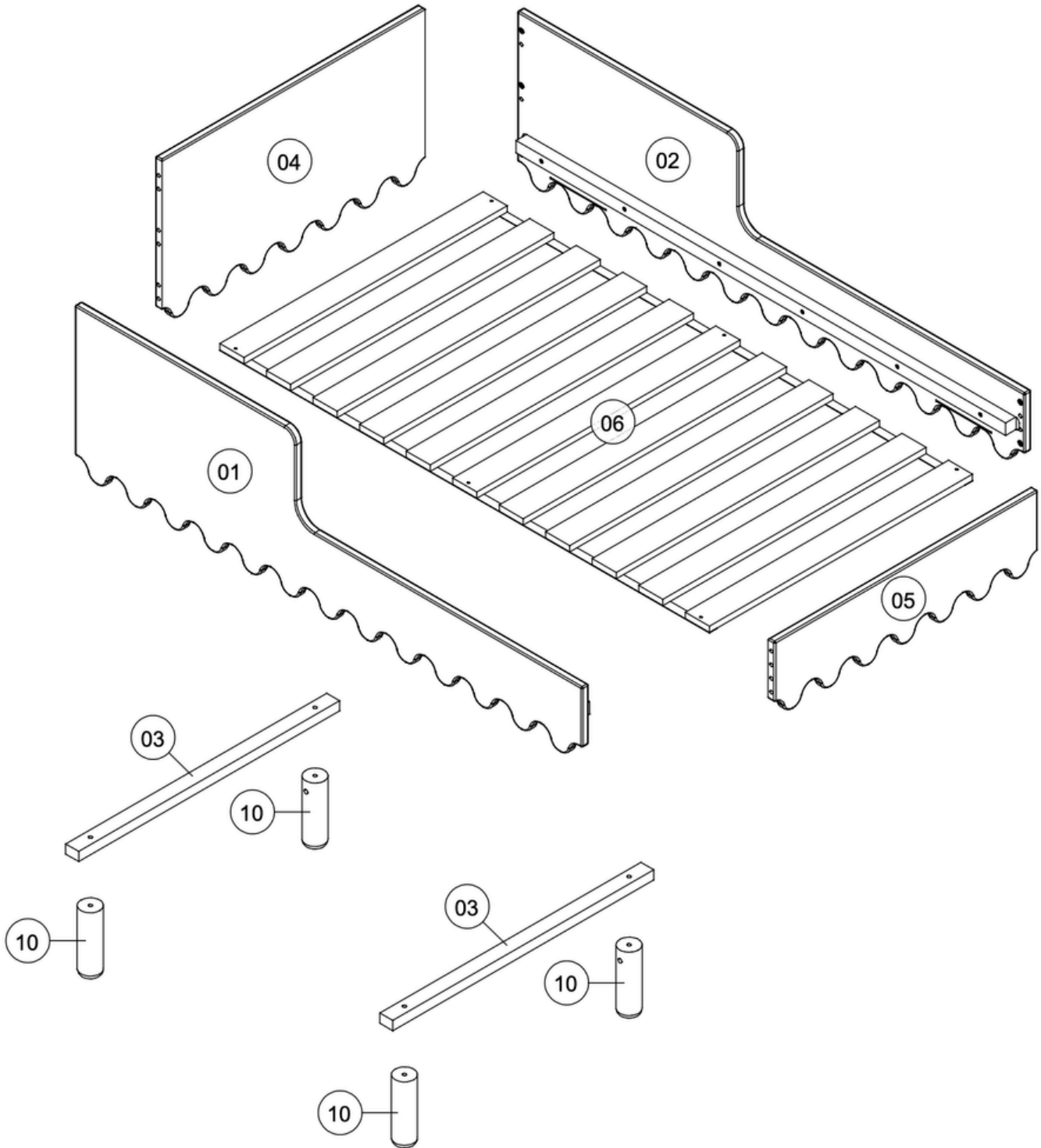
Liste des Pièces

A	 <p>Ø8x30</p>	10 pcs
B	 <p>M6x60</p>	4 pcs
D	 <p>M6x10x18</p>	4 pcs
E	 <p>M6-34mm</p>	10 pcs
F	 <p>Ø15x14</p>	10 pcs
G	 <p>M10x6</p>	10 pcs

H	 <p>80x90x80</p>	4 pcs
J	 <p>M6x16</p>	8 pcs
L	 <p>Ø4x40</p>	6 pcs
M	 <p>SW4</p>	1 pcs


Parts List

Liste des Pièces

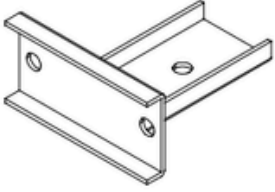


1

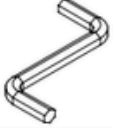
A	 Ø8x30	10 pcs
---	--	-----------

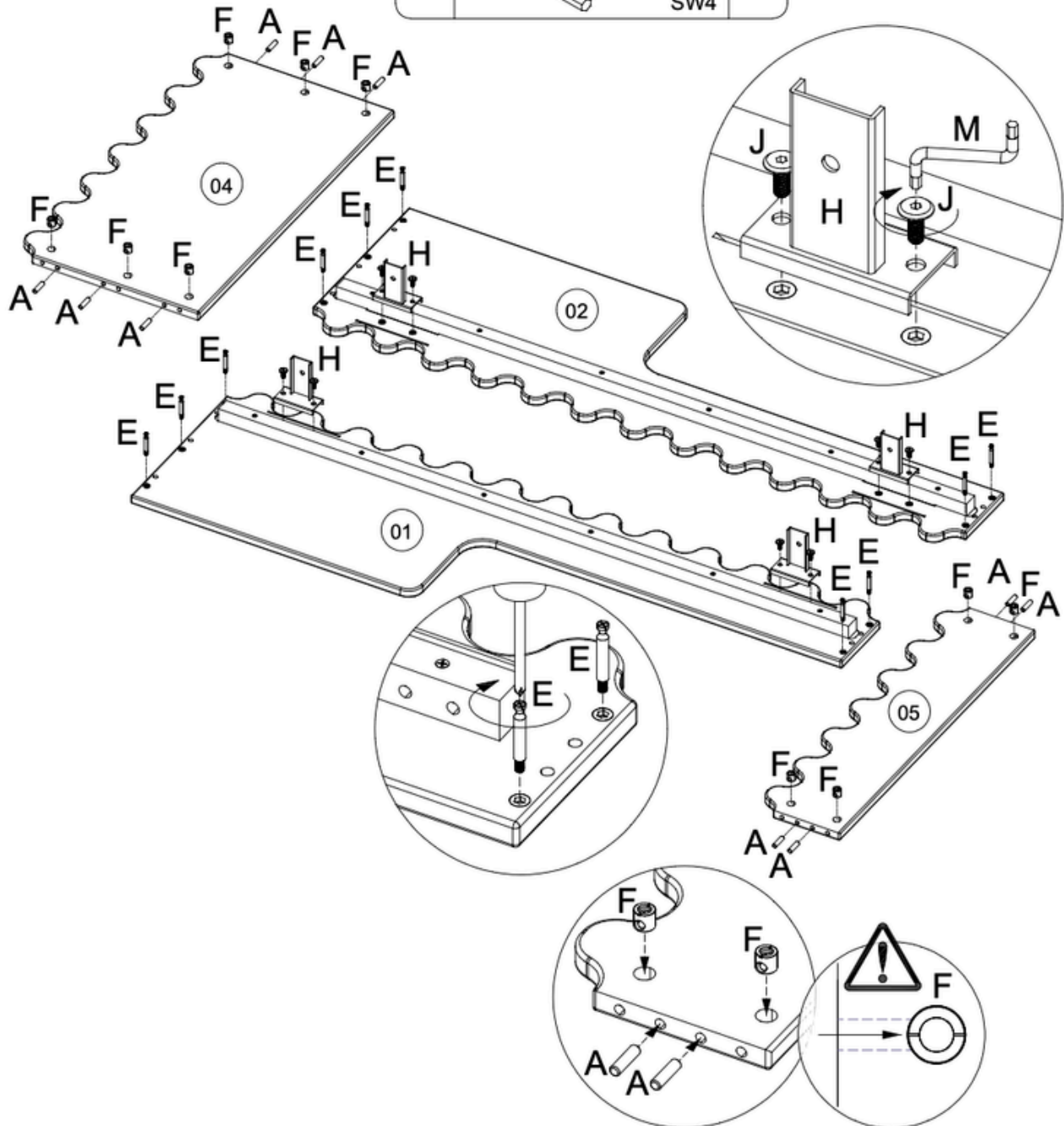
E	 M6-34mm	10 pcs
---	--	-----------

F	 Ø15x14	10 pcs
---	---	-----------

H	 80x90x80	4 pcs
---	--	----------

J	 M6x16	8 pcs
---	--	----------

M	 SW4	1 pcs
---	--	----------



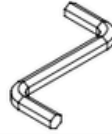
G



M10x6

4
pcs

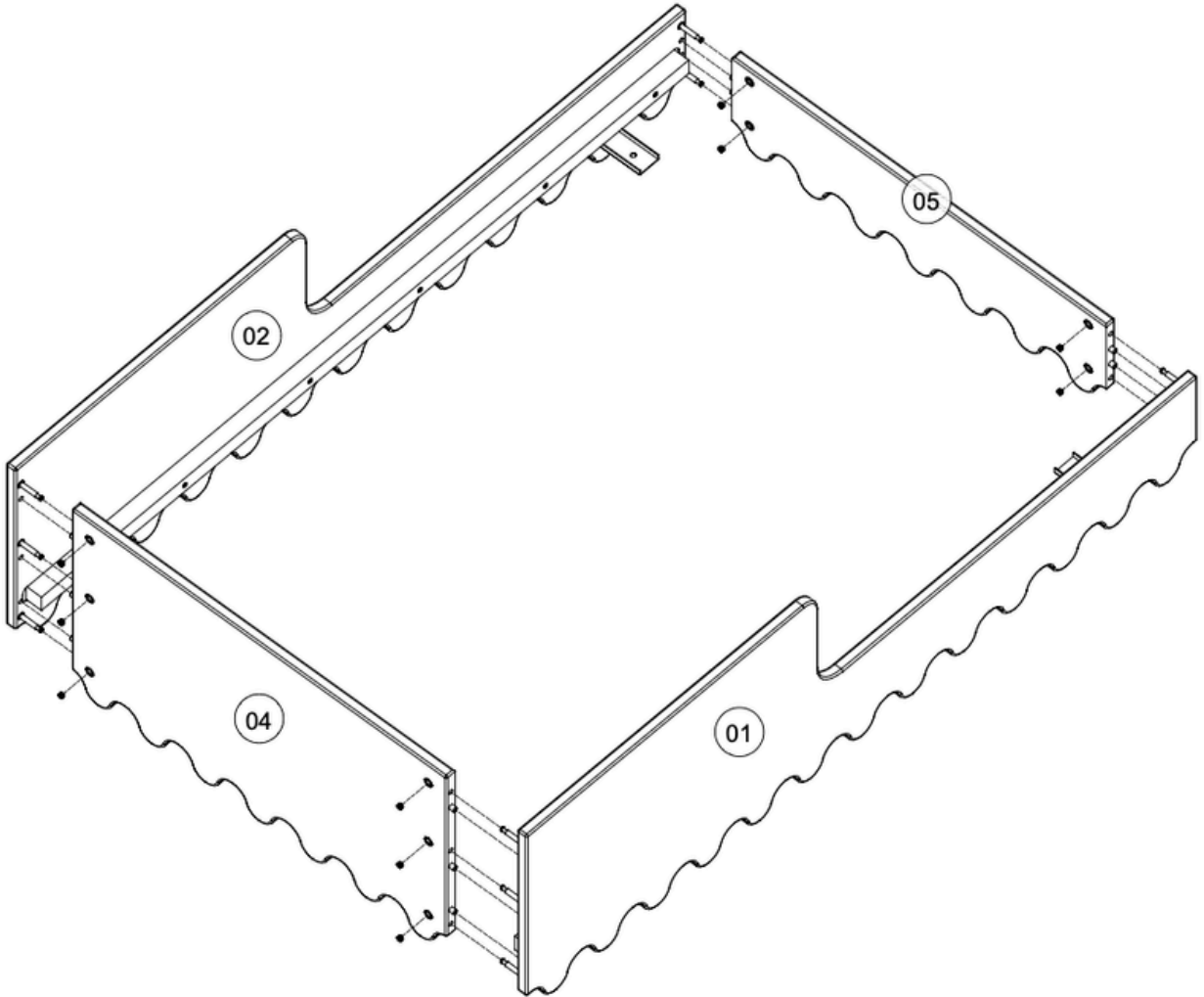
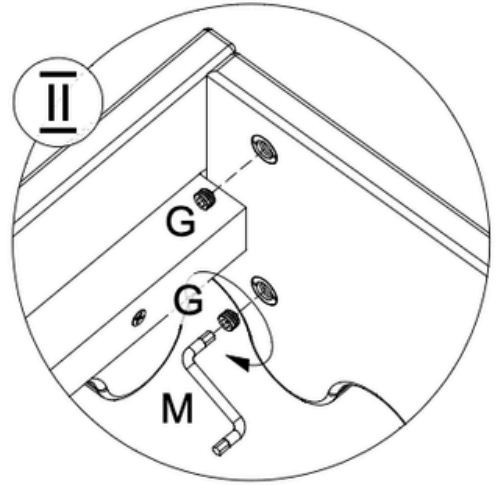
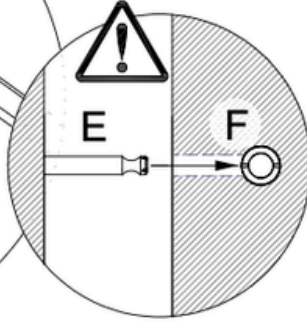
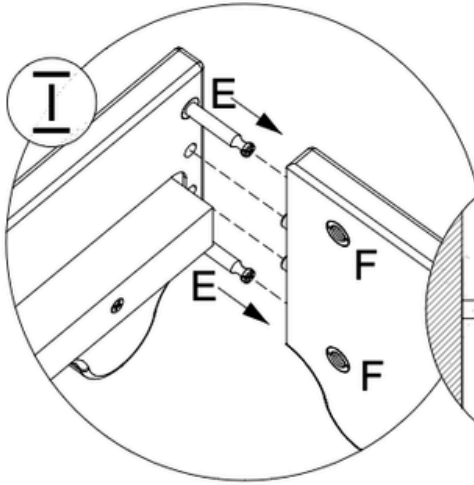
M



SW4

1
pcs

2



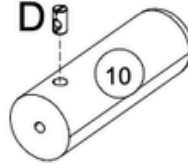
D



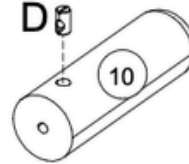
M6x10x18

4
pcs

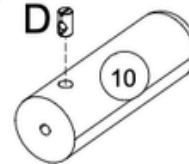
D



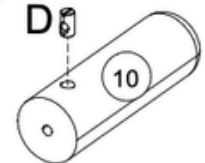
D



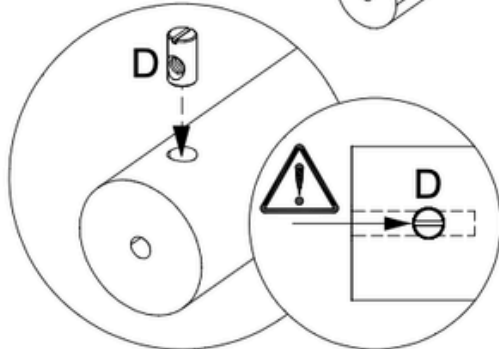
D



D



3



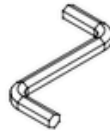
B



M6x60

4
pcs

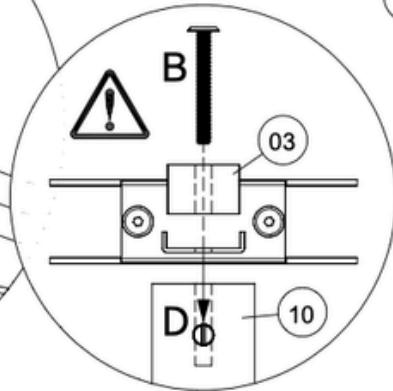
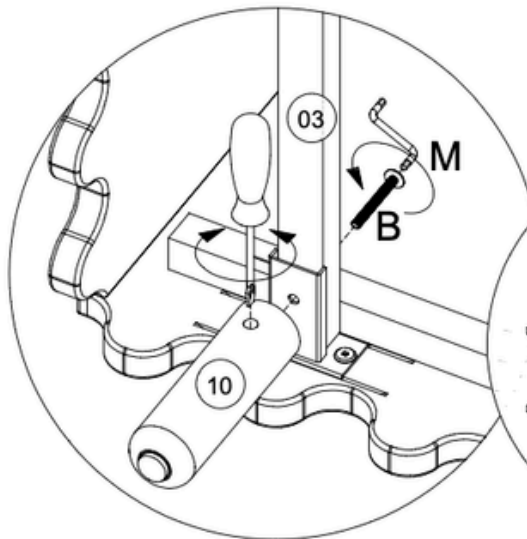
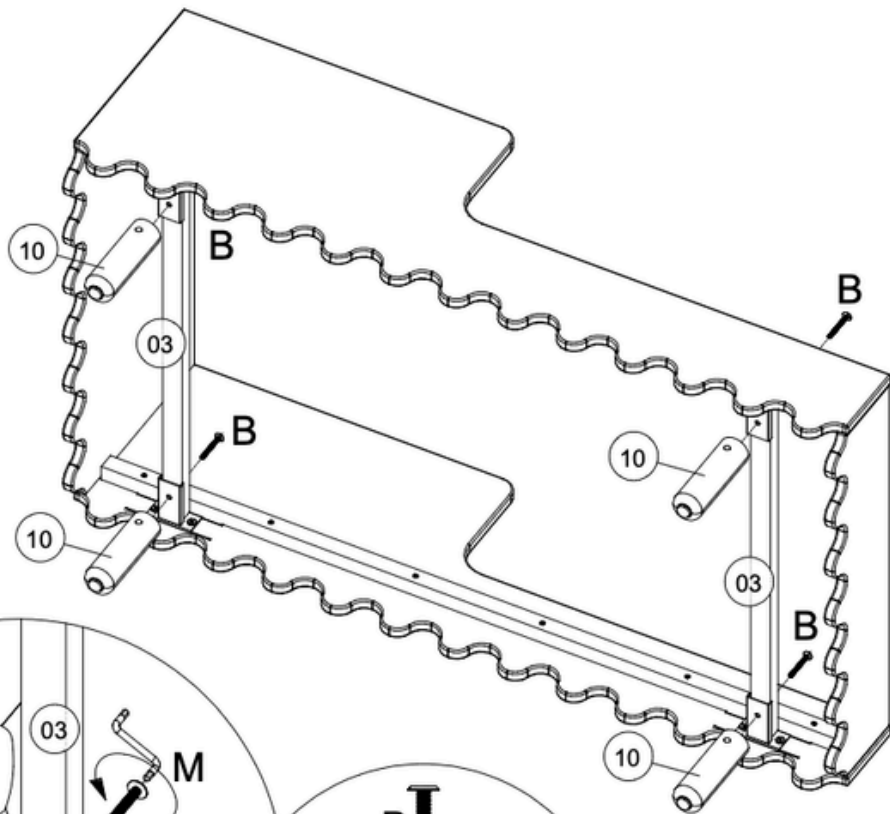
M



SW4

1
pcs

4



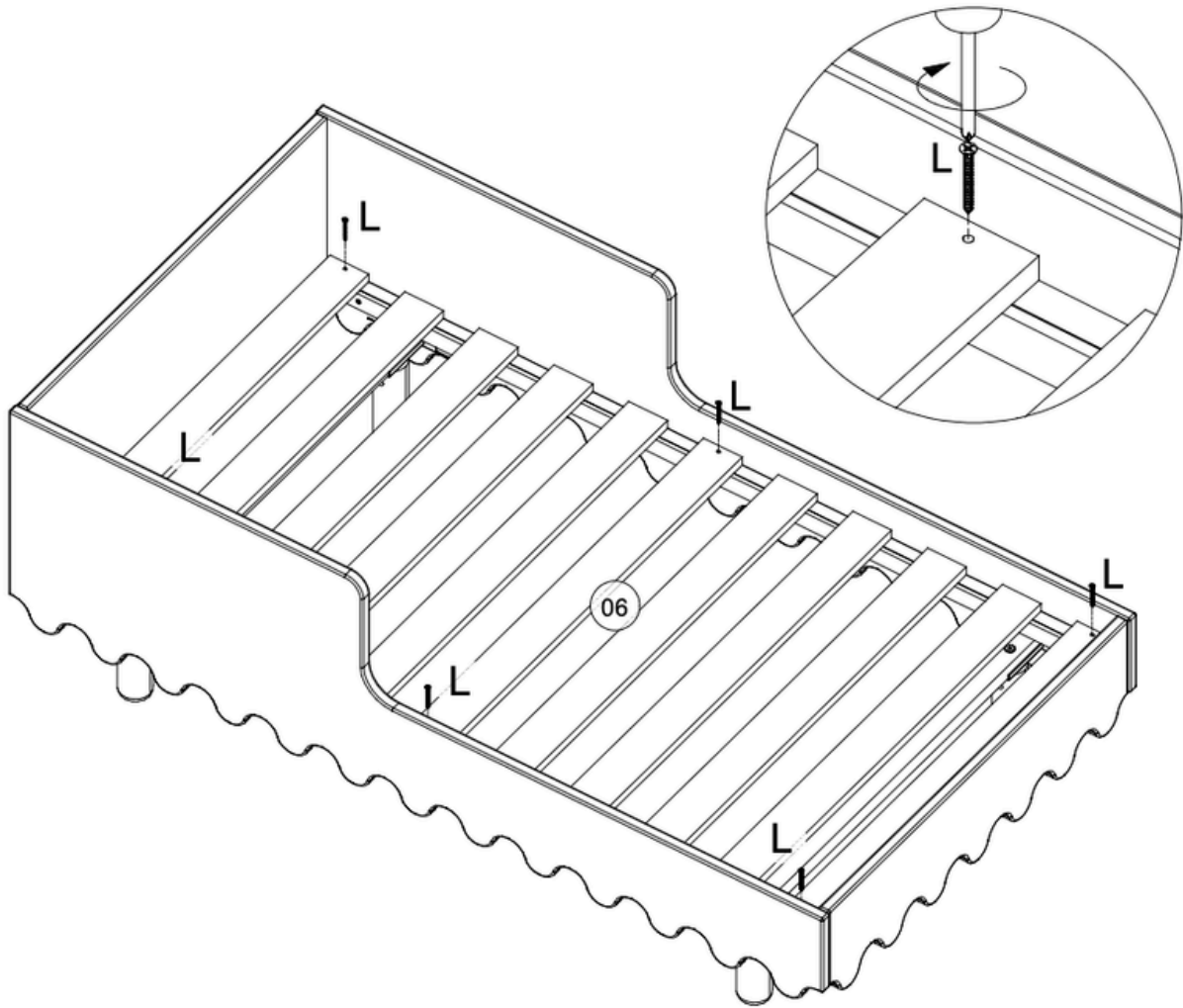
L



Ø4x40

6
pcs

5



ELEVATE YOUR KIDDO'S PLAY (LITERALLY!)

Your Pipe Climbers will revolutionize your kiddos' playtime! Gross motor play is vital to proper development!



INTERESTED IN A GROH! MURAL?

Enjoy a signature grOH! mural on your walls, ceiling, climbing panels, or anywhere you like! Check out all of our murals at shopgrohplayrooms.com!



SHARE PHOTOS WITH US!

Please share photos! We love to see how your space has transformed!



CONTACT US

shop@grohplayrooms.com

FIND MORE RESOURCES AT

www.shopgrohplayrooms.com