



# PLAYPEN BY TOKI KIDS

## ASSEMBLY GUIDE



**WARNING** – Improper assembly or use of this product and the activity of climbing has risks that can lead to injury, paralysis, and even death. Read these instructions and warnings before installation and use!

**CONTACT US**  
[shop@grohplayrooms.com](mailto:shop@grohplayrooms.com)

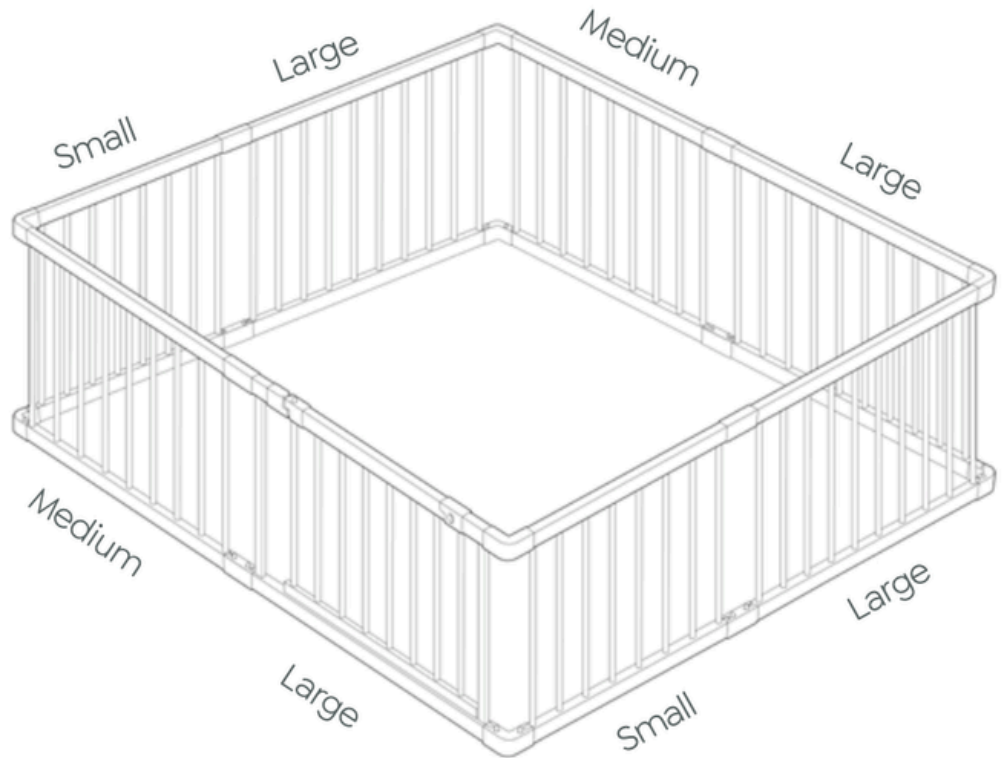
**FIND MORE RESOURCES AT**  
[shopgrohplayrooms.com](http://shopgrohplayrooms.com)

# playpen

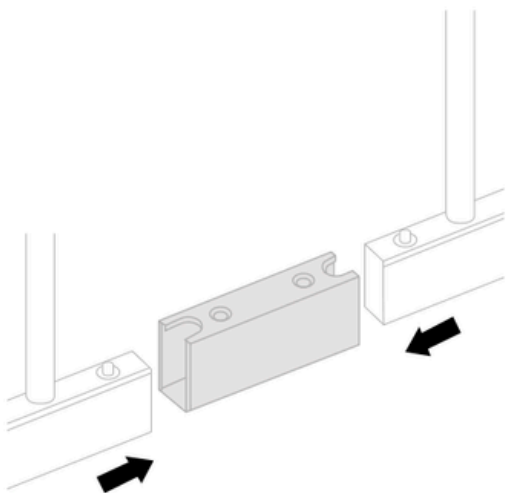
## assembly instructions

### Parts:

- Large panels (10 bars): x3
- Large panel (gate): x1
- Medium panels (9 bars): x2
- Small panels (8 bars): x2
- Straight connectors: x8
- Corner connectors: x8



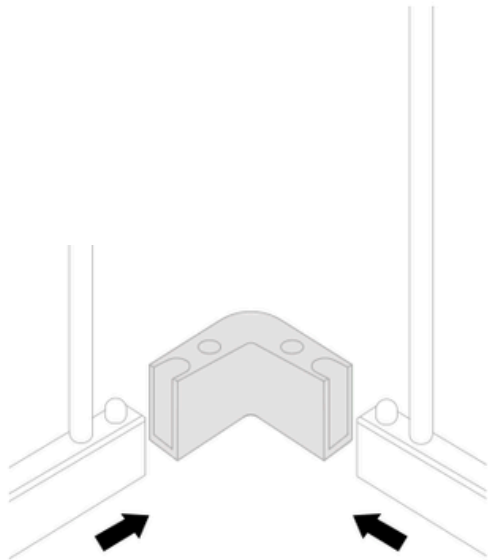
Each side of the playpen will consist of 1 large panel and either 1 medium panel or 1 small panel. The small panels should face parallel to each other, and the medium panels should face parallel to each other. The medium panel with 9 bars must be positioned next to the gate.



1. Insert each panel into the straight connectors and securely fasten them. Connect the panels as follows to form the sides:

- 1 large panel + 1 small panel
- 1 large panel + 1 small panel
- 1 large panel + 1 medium panel
- 1 large panel + 1 medium panel

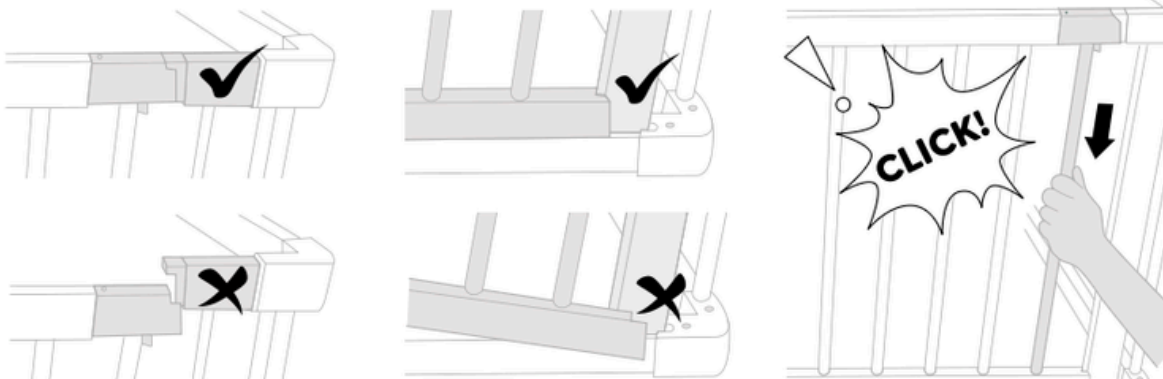
Position the gate panel to your preference. It may be connected to either side of the medium panel.



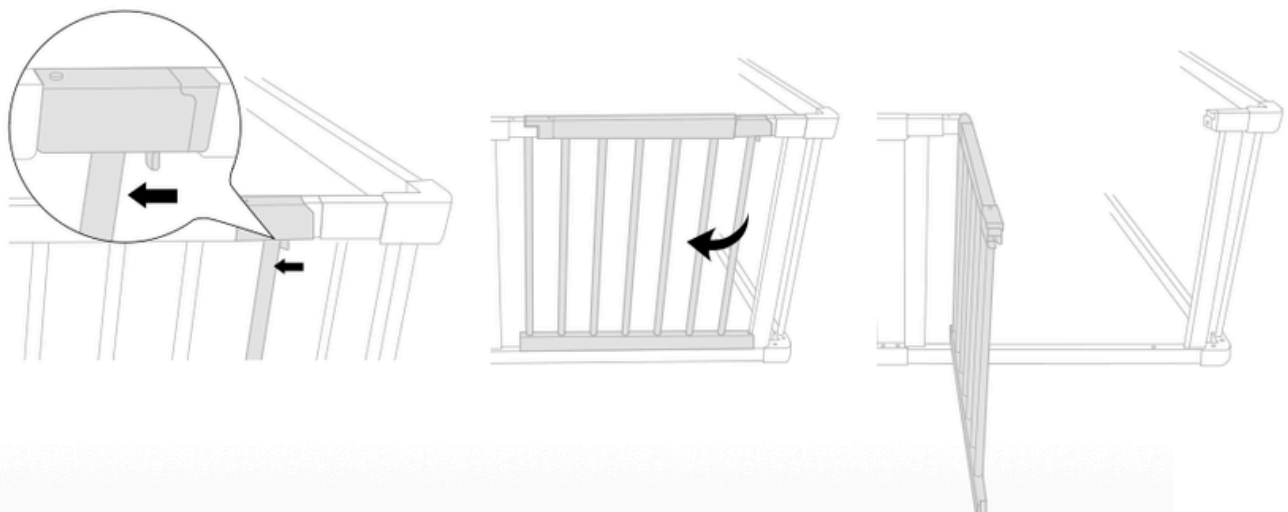
2. Form your playpen while ensuring each side mirrors the opposite side. The large panel + small panel sides should be parallel in the same formation. The large panel + medium panel side should be parallel to the large gate panel + small panel side.

3. Use the corner connectors to join the sides together and form the full playpen shape. Securely fasten all connections by pushing each connector into place.

4. To lock the gate, align the mechanism carefully and pull down the bar under the gate connector until it clicks securely into place.



5. To open the gate, click the latch under the gate and pull up the locking bar.



# ELEVATE YOUR KIDDO'S PLAY (LITERALLY!)

Your Pipe Climbers will revolutionize your kiddos' playtime! Gross motor play is vital to proper development!



# INTERESTED IN A GROH! MURAL?

Enjoy a signature grOH! mural on your walls, ceiling, climbing panels, or anywhere you like! Check out all of our murals at [shopgrohplayrooms.com](http://shopgrohplayrooms.com)!



# SHARE PHOTOS WITH US!

Please share photos! We love to see how your space has transformed!



## CONTACT US

[shop@grohplayrooms.com](mailto:shop@grohplayrooms.com)

## FIND MORE RESOURCES AT

[www.shopgrohplayrooms.com](http://www.shopgrohplayrooms.com)