



WOODEN KIDS CHAIR BY SPROUT

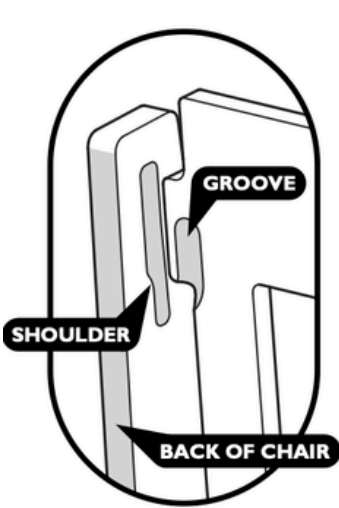
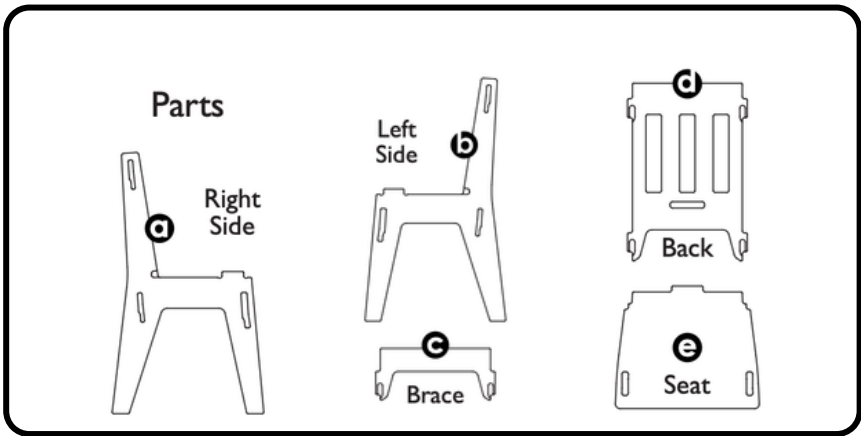
ASSEMBLY GUIDE



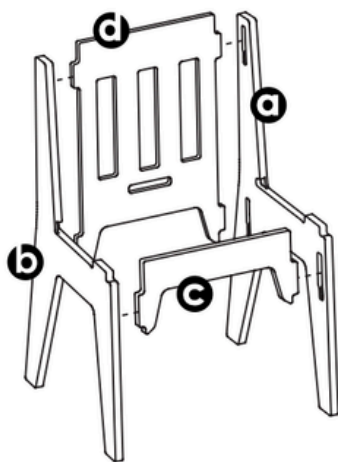
WARNING – Improper assembly or use of this product and the activity of climbing has risks that can lead to injury, paralysis, and even death. Read these instructions and warnings before installation and use!

CONTACT US
shop@grohplayrooms.com

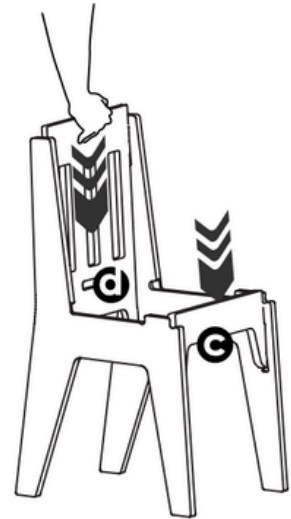
FIND MORE RESOURCES AT
shopgrohplayrooms.com



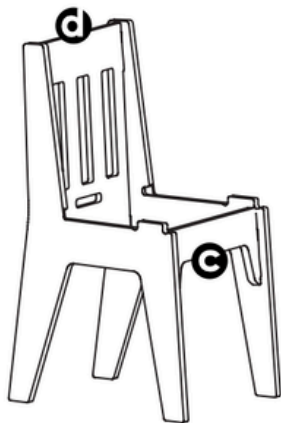
Ensure the groove is always facing toward the shoulder during assembly.



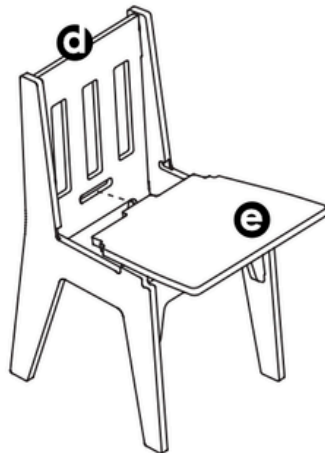
1 Put tabs on **d** & **c** into slots on sides **a** & **b**.



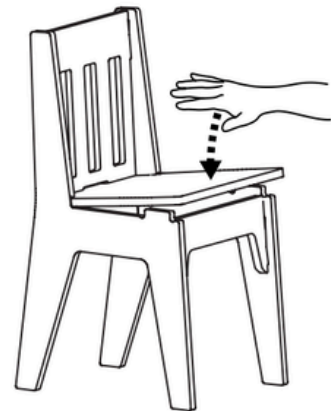
2 Push down **d** & **c** until tight.



2* Note that **d** & **c** won't tighten properly if the grooves aren't facing the shoulder



3 Slide tab on **e** into slot on **d**.



4 Firmly pop chair seat down over front tabs.

ELEVATE YOUR KIDDO'S PLAY (LITERALLY!)

Your Pipe Climbers will revolutionize your kiddos' playtime! Gross motor play is vital to proper development!



INTERESTED IN A GROH! MURAL?

Enjoy a signature grOH! mural on your walls, ceiling, climbing panels, or anywhere you like! Check out all of our murals at shopgrohplayrooms.com!



SHARE PHOTOS WITH US!

Please share photos! We love to see how your space has transformed!



CONTACT US

shop@grohplayrooms.com

FIND MORE RESOURCES AT

www.shopgrohplayrooms.com